

PRODUCT LITERATURE  
Baofeng™ UV-25  
TWO-WAY RADIOS

# BAOFENG™ UV-25 TWO-WAY RADIO

YOU'RE SIMPLY MORE EFFICIENT



## Introduction

The Baofeng UV-25 is a popular and powerful walkie talkie designed for both professional and personal communication. It is widely used in security services, event management, construction sites, hotels, outdoor activities, emergency situations, and by amateur (HAM) radio operators.

## Uses

The Baofeng UV-25 is ideal for security guards, event coordinators, warehouse staff, trekking and camping groups, and emergency communication. It provides fast, reliable, and instant communication without depending on mobile networks.

## Connectivity

This walkie talkie supports both VHF 136-174 and UHF (400-480 MHz) frequency bands. The dual-band and dual-display feature allows users to monitor two channels simultaneously. It also supports external antennas, which help improve signal strength and communication range.

## Transmission

The Baofeng UV-25 offers a maximum RF output power of 5W/10W with high and low power modes. It uses FM modulation and supports both wideband and narrowband operation. The maximum frequency deviation is  $\pm 5.0$  kHz in wideband and  $\pm 2.5$  kHz in narrowband, ensuring clear and stable transmission.

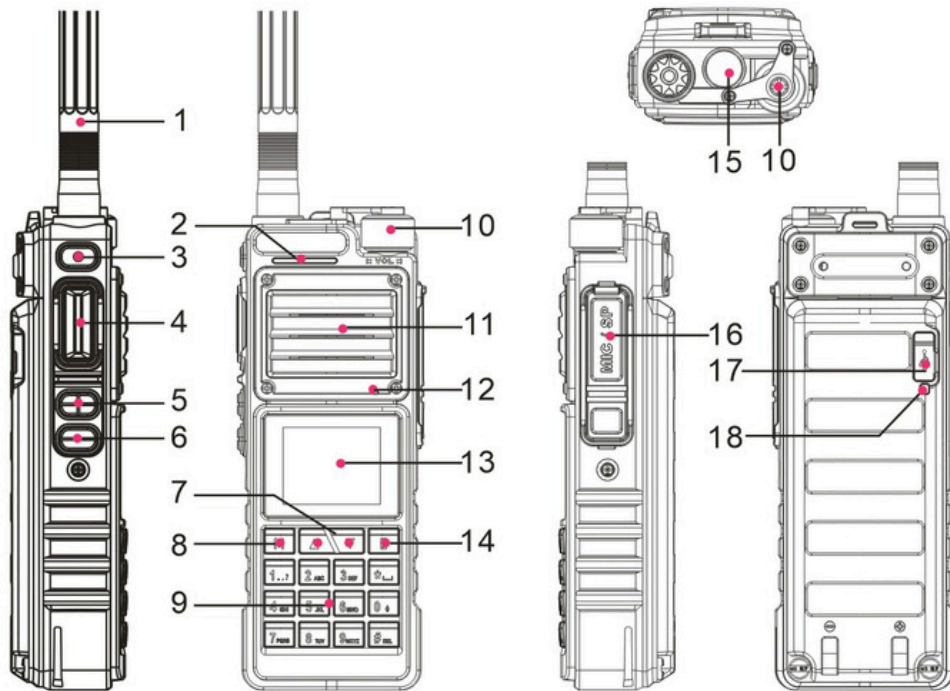
## Reception

With a receiver sensitivity of  $0.2 \mu\text{V}$  at 12 dB SINAD, the UV-25 can receive weak signals clearly. Low spurious emissions (less than  $-60$  dB) help reduce interference and improve overall communication quality.

## Specifications

The device features 1000 mW audio output, good adjacent channel selectivity, and emission classes 12.5K#F3E (wideband) and 1K#F3E (narrowband). Overall, the Baofeng UV-25 is a reliable, versatile, and cost-effective walkie talkie for clear and efficient two-way communication.

**PRODUCT LITERATURE**  
Baofeng™ UV-25  
TWO-WAY RADIOS



**Buttons and Controls of the Radio**

- |                        |  |  |
|------------------------|--|--|
| 1. Antenna             | 2. Status LED                            | 3. <b>SK1</b> - Weather and search frequency key |
| 4. PTT key             | 5. <b>SK2</b> - Broadcast FM/Monitor key | 6. <b>SK3</b> - Flashlight and Alarm key         |
| 7.  or navigation keys | 8.  Key (Menu and VFO/MR mode key)       | 9. Numeric keypad                                |
| 10. Power/Volume knob  | 11. Speaker                              | 12. Microphone (MIC Input)                       |
| 13. Color LCD          | 14.  Key (Exit and A / B select key)     | 15. LED Flashlight                               |
| 16. Accessory jack     | 17. Type-C charging port                 | 18. Type-C charging indicator                    |

**Appendix C – Technical Specifications**

**General Specifications**

Frequency Range (MHz):	136-174/400-480 Mhz
Memory Channels:	128 channels total (0–127)
Frequency Stability:	±2.5 ppm
Frequency Step (kHz):	2.5 / 5.0 / 6.25 / 10.0 / 12.5
Antenna Impedance:	50 Ohm
Operating Temperature:	-10°C to +55°C
Supply Voltage:	7.4 V ≈5200mAh
Current Consumption:	≤75 mA (standby) 380 mA (reception) ≤1.4 A (transmission)
Mode of Operation:	Simplex
Duty Cycle:	03 / 03 / 54 minutes (RX / TX / Standby)
Dimensions (mm):	58 × 110 × 32
Weight:	214 g
Max. Output Power	5W/10W
Antenna Gain:	3.7dbi

**PRODUCT LITERATURE**

Baofeng™ UV-25  
TWO-WAY RADIOS

**Transmitter Specifications**

RF Power (Watts):	5W/10W
Frequency Range (MHz):	136-174/400-480 Mhz
Type of Modulation:	F3E
Emission Class:	<ul style="list-style-type: none"><li>• 12.5K#F3E (Wide Band)</li><li>• 1K#F3E (Narrow Band)</li></ul>
Maximum Deviation (kHz):	<ul style="list-style-type: none"><li>• <math>\leq \pm 5.0</math> kHz (Wide Band)</li><li>• <math>\leq \pm 2.5</math> kHz (Narrow Band)</li></ul>
Spurious Emissions:	<ul style="list-style-type: none"><li>• <math>&lt; -60</math> dB</li></ul>

**Receiver Specifications**

Receiver Sensitivity:	0.2 $\mu$ V (at 12 dB SINAD)
Intermodulation:	60 dB
Audio Output:	1000 mW
Adjacent Channel Selectivity:	65 / 60 dB

**Disclaimer**

The accuracy and completeness of the contents are sought in the process of compilation, but we do not bear any responsibility for the possible errors or omissions. With the continuous development of technology, we reserve the right to change the design and specification of the product without notice. No copy, modification, translation and dissemination of this handbook may be made in any form without the prior written authorization of our department. If you need more information or have any suggestions for this manual, write to us Email: support@baofengradios.com.

**Contact Us:****Sales & Marketed By:**

G.S. TeleCommunication Limited Unit 614A, Tower B4, Spaze IT Park Sohna Road  
Sector 49, Gurgaon Haryana 122018 Email: support@baofengradios.com  
Mob. No. : +91-9999323328

**Manufactured by:**

Shopperclue Webtrade India Pvt. Ltd. Unit 614, Tower B4, Spaze IT Park Sohna Road  
Sector 49, Gurgaon Haryana 122018