

PRODUCT LITERATURE
Baofeng™ BF-V1D
TWO-WAY RADIOS

BAOFENG™ BF-V1D TWO-WAY RADIO

YOU'RE SIMPLY MORE EFFICIENT



The BAOFENG BF-V1D is a reliable and widely used license-free walkie-talkie, designed for simple operation and dependable performance. This model is commonly used by security guards, event management teams, hotel staff, warehouse personnel, factories, schools, shopping malls, and construction sites, where instant communication is essential for smooth coordination.

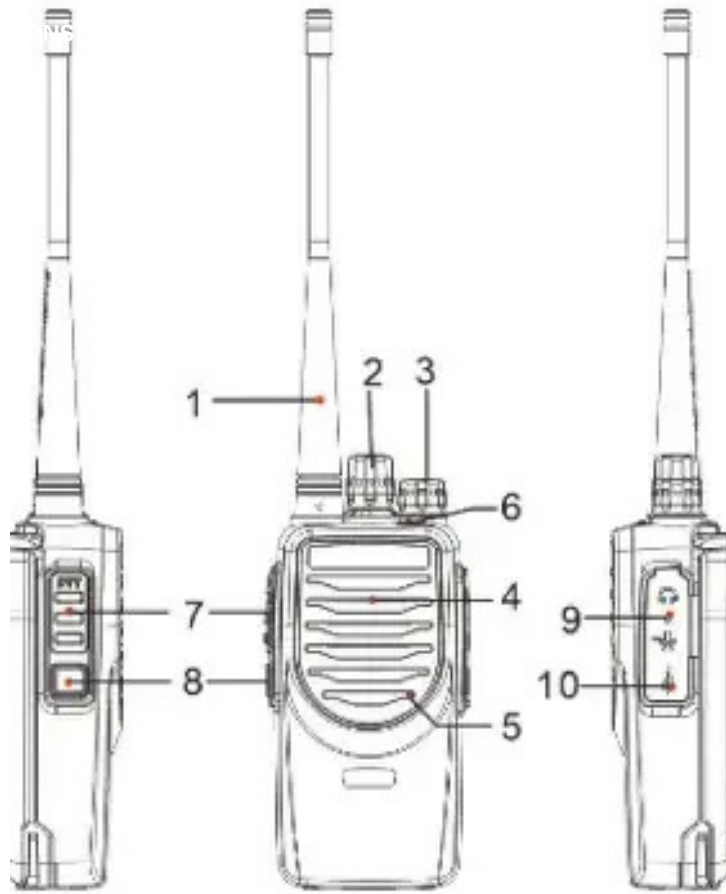
In terms of connectivity, the BF-V1D operates on the UHF frequency band and supports 16 channels, allowing seamless communication between multiple BF-V1D units or other compatible UHF radios. The easy Push-To-Talk (PTT) function ensures quick and hassle-free communication without complex programming.

The specifications include a compact and durable body, high-gain antenna for better signal coverage, a rechargeable battery for long working hours, and a clear audio speaker for effective voice communication. Its lightweight design makes it comfortable to carry throughout the day.

Regarding transmission and reception, the BAOFENG BF-V1D delivers stable and clear voice transmission, especially in open areas, while maintaining strong and noise-free reception. It provides consistent performance with low power consumption, making it suitable for both professional environments and daily operational use. Overall, the BAOFENG BF-V1D is a practical and cost-effective communication solution.

PRODUCT LITERATURE

Baofeng™ BF-V1D
TWO-WAY RADIOS



FEATURES

General

Model Number	BF-V1D
Frequency range	400-470 Mhz
Channel Number	16
Working Voltage	DC 3.7V
Working Temperature	-10°C to +60°C
Antenna	2dBi
Antenna Impedence	50 Ω
Working Mode	Simplex

Receiver

Frequency range	400-470 Mhz
Sensitivity	≤ 0.2uV
Occupied Bandwidth	<12.5Khz
Selectivity	≥ 65dB
Intermediation	≥ 55dB
Audio power	5W/1W

PRODUCT LITERATURE
 Baofeng™ BF-V1D
 TWO-WAY RADIOS

Audio distortion	≤ 5%
Frequency Stability	5ppm
Current	80mA(when standby) 220mA(when working)
Audio response	+7~-12.5dB

Transmitter

Frequency range	400-470 Mhz
Output power	5W/1W
Modulation mode	12.5K F3E
Spurious radiation	≤ 7.5uW
Modulation noise	<-40dB
Modulation distortion	<5%
Frequency Stability	5ppm
Maximum deviation	≤ ± 5KHz
Current	≤ 2300mA
Audio response(300-3000Hz)	+6.5~-14dB
Adjacent Ch. power	≥ 65dB
Intermediation sensitivity	8~12mv

Note: Specifications can be revised without prior notice due to technical improvement. Thank you.

Disclaimer

The accuracy and completeness of the contents are sought in the process of compilation, but we do not bear any responsibility for the possible errors or omissions. With the continuous development of technology, we reserve the right to change the design and specification of the product without notice. No copy, modification, translation and dissemination of this handbook may be made in any form without the prior written authorization of our department. If you need more information or have any suggestions for this manual, write to us Email: support@baofengradios.com.

Contact Us:

Sales & Marketed By:

G.S. TeleCommunication Limited Unit 614A, Tower B4, Spaze IT Park Sohna Road
 Sector 49, Gurgaon Haryana 122018 Email: support@baofengradios.com
 Mob. No. : +91-9999323328

Manufactured by:

Shopperclue Webtrade India Pvt. Ltd. Unit 614, Tower B4, Spaze IT Park Sohna Road
 Sector 49, Gurgaon Haryana 122018