

PRODUCT LITERATURE
Baofeng™ BF-1905
TWO-WAY RADIOS

BAOFENG™ BF-1905 TWO-WAY RADIO

YOU'RE SIMPLY MORE EFFICIENT



Introduction

The Baofeng BF-1905 is a popular and powerful walkie talkie designed for both professional and personal communication. It is widely used in security services, event management, construction sites, hotels, outdoor activities, emergency situations, and by amateur (HAM) radio operators.

Uses

The Baofeng BF-1905 is ideal for security guards, event coordinators, warehouse staff, trekking and camping groups, and emergency communication. It provides fast, reliable, and instant communication without depending on mobile networks.

Connectivity

This walkie talkie supports UHF (400–470 MHz) frequency bands. The dual-band and dual-display feature allows users to monitor two channels simultaneously. It also supports external antennas, which help improve signal strength and communication range.

Transmission

The Baofeng BF-1905 offers a maximum RF output power of 5W/10W with high and low power modes. It uses FM modulation and supports both wideband and narrowband operation. The maximum frequency deviation is ± 5.0 kHz in wideband and ± 2.5 kHz in narrowband, ensuring clear and stable transmission.

Reception

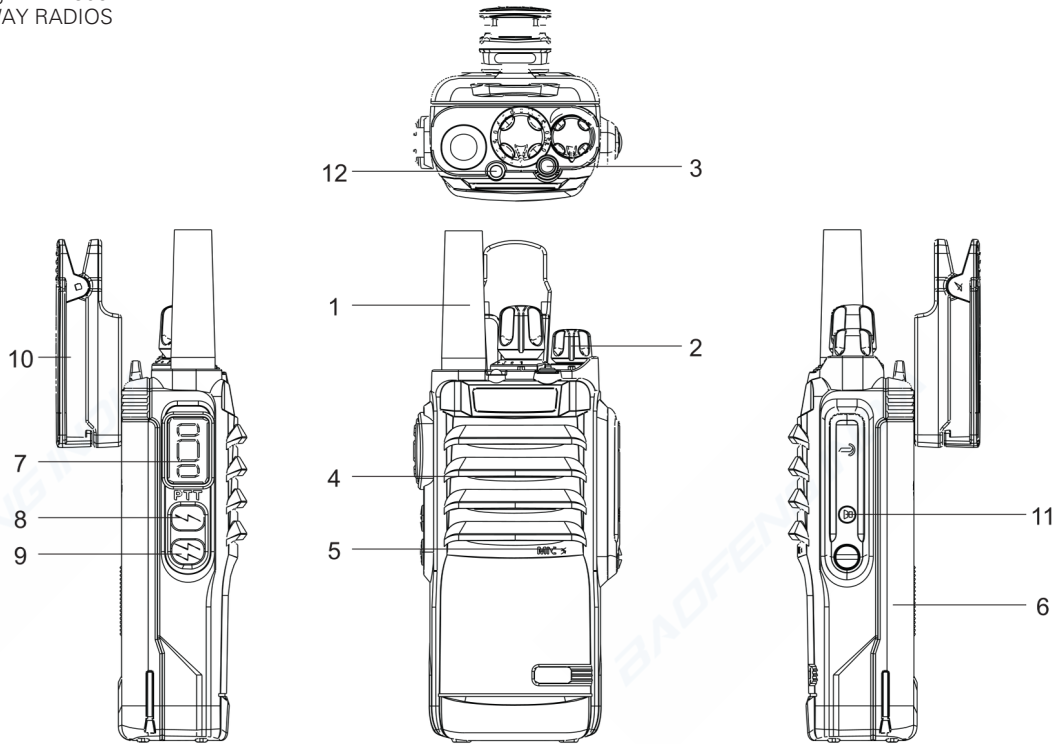
With a receiver sensitivity of $0.2 \mu\text{V}$ at 12 dB SINAD, the BF-1905 can receive weak signals clearly. Low spurious emissions (less than -60 dB) help reduce interference and improve overall communication quality.

Specifications

The device features 1000 mW audio output, good adjacent channel selectivity, and emission classes 12.5K#F3E (wideband) and 1K#F3E (narrowband). Overall, the Baofeng BF-1905 is a reliable, versatile, and cost-effective walkie talkie for clear and efficient two-way communication.

PRODUCT LITERATURE

Baofeng™ BF-1905
TWO-WAY RADIOS



Buttons and Controls of the Radio

1. Antenna	6. Battery latch	11. Accessory jack
2 Knob (ON/OFF, volume)	7. PTT	12. LED indicator
3. Flashlight	8. SK-side key1/F	
4. Speaker	9. SK-side key2/M	
5. Microphone	10. Strap buckle	

Appendix C – Technical Specifications

General Specifications

Frequency Range (MHz):	400-470 Mhz
Memory Channels:	128 channels total (0-127)
Frequency Stability:	±2.5 ppm
Frequency Step (kHz):	2.5 / 5.0 / 6.25 / 10.0 / 12.5
Antenna Impedance:	50 Ohm
Operating Temperature:	-10°C to +55°C
Supply Voltage:	DC 7.4V ≈3800mAh
Current Consumption:	≤75 mA (standby) 380 mA (reception) ≤1.4 A (transmission)
Mode of Operation:	Simplex
Duty Cycle:	03 / 03 / 54 minutes (RX / TX / Standby)
Dimensions (mm):	58 × 110 × 32
Weight:	240 g
Max. Output Power	5W/10W
Antenna Gain:	3.15dBi

PRODUCT LITERATURE

Baofeng™ BF-1905
TWO-WAY RADIOS

Transmitter Specifications

RF Power (Watts):	5W/10W
Frequency Range (MHz):	400-470 Mhz
Type of Modulation:	F3E
Emission Class:	<ul style="list-style-type: none">• 12.5K#F3E (Wide Band)• 1K#F3E (Narrow Band)
Maximum Deviation (kHz):	<ul style="list-style-type: none">• $\leq \pm 5.0$ kHz (Wide Band)• $\leq \pm 2.5$ kHz (Narrow Band)
Spurious Emissions:	<ul style="list-style-type: none">• < -60 dB

Receiver Specifications

Receiver Sensitivity:	0.2 μ V (at 12 dB SINAD)
Intermodulation:	60 dB
Audio Output:	1000 mW
Adjacent Channel Selectivity:	65 / 60 dB

Disclaimer

The accuracy and completeness of the contents are sought in the process of compilation, but we do not bear any responsibility for the possible errors or omissions. With the continuous development of technology, we reserve the right to change the design and specification of the product without notice. No copy, modification, translation and dissemination of this handbook may be made in any form without the prior written authorization of our department. If you need more information or have any suggestions for this manual, write to us Email: support@baofengradios.com.

Contact Us:**Sales & Marketed By:**

G.S. TeleCommunication Limited Unit 614A, Tower B4, Spaze IT Park Sohna Road
Sector 49, Gurgaon Haryana 122018 Email: support@baofengradios.com
Mob. No. : +91-9999323328

Manufactured by:

Shopperclue Webtrade India Pvt. Ltd. Unit 614, Tower B4, Spaze IT Park Sohna Road
Sector 49, Gurgaon Haryana 122018